

Ductile Iron Y Strainer

PN16/235PSI/Class125

Stainless Steel Screen, Drain Outlet

Flange Dimension EN1092-2, ANSI B16.1 Class 125



YR-970

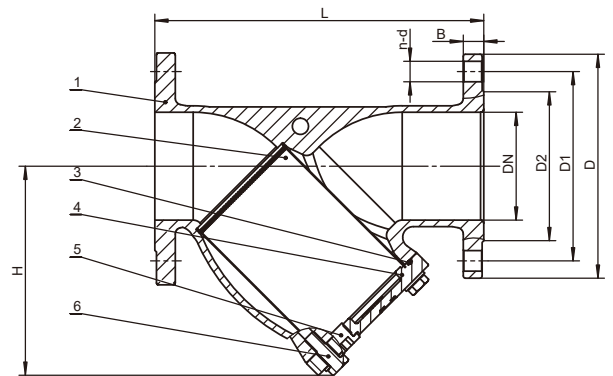
2" – 16"

Hydraulic Pressure Test	
Body	2.4Mpa/24Bar

Pressure Ratings	
1.0 Mpa at 180°C	
1.6 Mpa at -10°C-120°C	

Materials List

No	Part	Specification	BS EN	ASTM
1	Body	Ductile Iron	EN JS1030	A536 65-45-12
2	Screen	Stainless Steel	BSEN 10088-1	AISI 304
3	Sealing Ring	EPDM	--	--
4	Bonnet	Ductile Iron	EN JS1030	A536 65-45-12
5	Drain Plug	Stainless Steel	BSEN 10088-1	AISI 304
6	Bolt	Stainless Steel	BSEN 10088-1	AISI 304



Dimensions-Weights

mm	50	65	80	100	125	150	200	250	300	350	400
In	2	2½	3	4	5	6	8	10	12	14	16
L	216	241	283	305	381	403	495	622	698	787	914
H	128	145	160	210	228	260	324	416	460	540	598
D	165	185	200	220	250	285	340	405	455	520	580
D1	125	145	160	180	210	240	295	355	410	470	525
D2	99	118	132	156	184	211	266	319	370	429	480
B	19	19	19	19	19	19	20	22	24.5	26.5	28
n-d	4-19	4-19	8-19	8-19	8-19	8-23	12-23	12-28	12-28	16-28	16-31
Weight	Lbs	18	22	27	38	50	57	107	173	263	379
	Kg	8	10	12	17	23	26	49	79	119	172